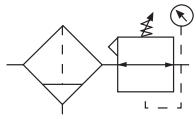


Filter / Regulator B28

= "Most Popular"



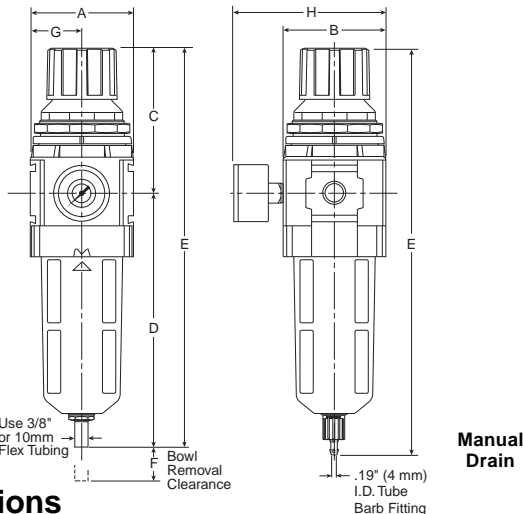
B28-03-FKG0

Features

- 5 Micron Filtration
- Balanced Valve Design
- Spring Loaded Diaphragm
- 3/4" NPT / BSPP-G Over-Ported
- Quick-Disconnect Bowl / Bowl Guard
- Light Weight
- High Flow Capacities

WARNING

**Product rupture can cause serious injury.
Do not connect regulator to bottled gas.
Do not exceed maximum primary pressure rating.**



Dimensions

Models	Inches (mm)	A	B	C	D	E	F	G	H
Standard Unit with Manual Drain B28-XX-FK00		2.90 (74)	2.90 (74)	4.09 (104)	7.35 (187)	11.44 (291)	2.00 (51)	1.44 (37)	4.27 (108)
Automatic Drain B28-XX-FG00		2.90 (74)	2.90 (74)	4.09 (104)	7.12 (181)	11.21 (285)	2.00 (51)	1.44 (37)	4.27 (108)
Metal Bowl with Sight Gauge / Manual Drain		2.90 (74)	3.23 (82)	4.09 (104)	7.35 (187)	11.44 (291)	2.00 (51)	1.44 (37)	4.27 (108)
Metal Bowl with Sight Gauge / Automatic Drain		2.90 (74)	3.23 (82)	4.09 (104)	7.12 (181)	11.21 (285)	2.00 (51)	1.44 (37)	4.27 (108)

Specifications

Flow Capacity*	3/8	140 SCFM (66.1 dm ³ /s)
	1/2	165 SCFM (77.9 dm ³ /s)
	3/4	175 SCFM (82.6 dm ³ /s)
Adjusting Range Pressure	0 to 30 PSIG (0 to 2.1 bar) 0 to 60 PSIG (0 to 4.1 bar) 0 to 125 PSIG (0 to 8.6 bar) 0 to 250 PSIG (0 to 17.2 bar)	
Gauge Port (2)	NPT / BSPP-G	1/4
Maximum Supply Pressure	Plastic Bowl	150 PSIG (10.3 bar)
	Metal Bowl	250 PSIG (17.2 bar)
Operating Temperature	Plastic Bowl	-13° to 125°F (-25° to 52°C)
	Metal Bowl	-13° to 150°F (-25° to 65.5°C)
Port Size	NPT / BSPP-G	3/8, 1/2, 3/4
Bowl Capacity	2.87 oz	
Standard Filtration	5 Micron	
Weight	2.45 lb. (1.1 kg)	

* Inlet pressure 100 PSIG (6.9 bar). Secondary pressure 90 PSIG (6.2 bar).

"F" Series Filters, Type "A" 5 micron elements: All Wilkerson Type "A" 5 micron elements meet or exceed ISO Class 3 for maximum particle size and concentration of solid contaminants.

Materials of Construction

Adjustment Knob	Acetal	
Body	Aluminum	
Body Cap	ABS	
Bowls	Plastic Bowl	Polycarbonate
	Metal Bowl	Aluminum
Diaphragm Assembly	Nitrile / Zinc	
Element Retainer / Baffle	Acetal	
Filter Element	Sintered Polyethylene	
Panel Nut	Acetal	
Seals	Plastic Bowl	Nitrile
	Metal Bowl	Nitrile
Sight Gauge	Metal Bowl	Polyamide (Nylon)
Springs	Main Regulating / Valve	Steel / S.S.
Valve Assembly	Brass / Nitrile	

CAUTION:

REGULATOR PRESSURE ADJUSTMENT – The working range of knob adjustment is designed to permit outlet pressures within their full range. Pressure adjustment beyond this range is also possible because the knob is not a limiting device. This is a common characteristic of most industrial regulators, and limiting devices may be obtained only by special design.

For best performance, regulated pressure should always be set by increasing the pressure up to the desired setting.

 = "Most Popular"

Replacement Bowl Kits

- Metal Bowl –
 - Sight Gauge, Automatic Drain GRP-96-645
 - Sight Gauge, Manual Drain..... GRP-96-644
- Plastic Bowl –
 - Bowl Guard, Automatic Drain..... GRP-96-643
 - Bowl Guard, Manual Drain..... GRP-96-642
 - Bowl Guard, Closed Bottom GRP-96-652

Replacement Element Kits

- Type " A", 5 Micron FRP-96-653
- Element, Deflector, Retainer kit FRP-96-283

Replacement Kits

- Adjusting Knob RRP-16-341-000
- Diaphragm Assembly –
 - Non-relieving RRP-96-987
 - Relieving..... RRP-96-986
- Spring, Regulating –
 - 0 to 30 PSIG (0 to 2.1 bar) RRP-96-163
 - 0 to 60 PSIG (0 to 4.1 bar) RRP-96-164
 - 0 to 125 PSIG (0 to 8.6 bar)..... RRP-96-165
 - 0 to 250 PSIG (0 to 17.2 bar) RRP-96-166
- Valve Assembly..... RRP-96-049

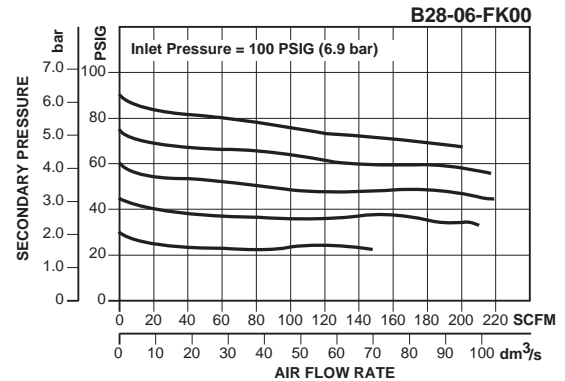
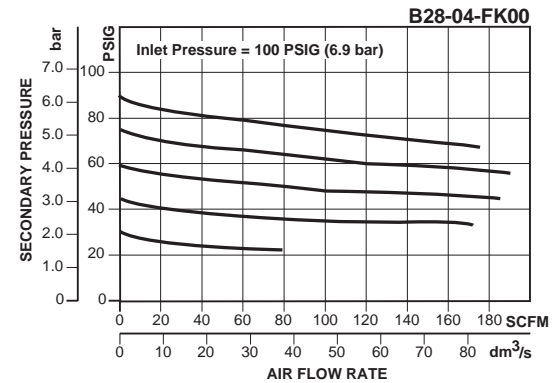
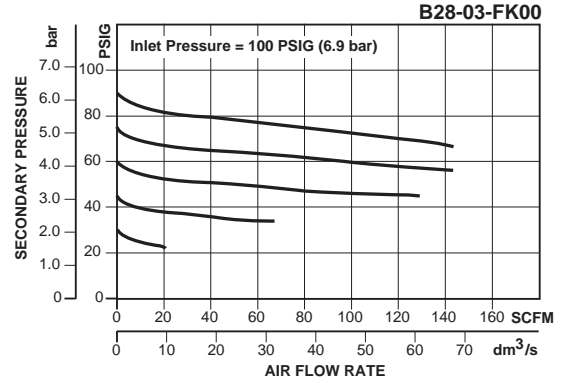
Accessories

- Automatic Drain –
 - Fluorocarbon GRP-95-981
 - Nitrile GRP-95-973
- Manual Drain..... GRP-96-685
- Panel Mount Nut –
 - Aluminum..... RRP-96-674
 - Plastic RRP-96-676
- Gauge, Pressure –
 - 0 to 30 PSIG, 1-1/2" Dial Face, 1/4" NPT CBM....K4515N14030
 - 0 to 60 PSIG, 1-1/2" Dial Face, 1/4" NPT CBM... K4515N14060
 - 0 to 160 PSIG, 1-1/2" Dial Face, 1/4" NPT CBM..K4515N14160
 - 0 to 300 PSIG, 1-1/2" Dial Face, 1/4" NPT CBM. K4515N14300
 - 0 to 2.0 bar, 1-1/2" Dial Face, G 1/4" CBM..... K4515G14030
 - 0 to 4.1 bar, 1-1/2" Dial Face, G 1/4" CBM K4515G14060
 - 0 to 11 bar, 1-1/2" Dial Face, G 1/4" CBM K4515G14160
 - 0 to 21 bar, 1-1/2" Dial Face, G 1/4" CBM K4515G14290
 - 0 to 160 PSIG, 1-3/4" Digital Round, 1/4" NPT ...K4517N14160D
- Tamper Resistant Kit..... RRP-96-672
- Sight Gauge Kit..... GRP-96-825
- Wall Mounting Bracket –
 - L-Type (Body) GPA-96-605
 - L-Type (Bonnet)..... GPA-96-607
 - T-Type GPA-96-602

Ordering Information

Model Type	Port Size	Plastic Bowl / Bowl Guard With Gauge 5 to 125 PSIG (0.4 to 8.6 bar)	Plastic Bowl / Bowl Guard With Gauge 3 to 60 PSIG (0.2 to 4.1 bar)	Metal Bowl / Sight Gauge With Gauge 10 to 250 PSIG (0.7 to 17.2 bar)	Plastic Bowl / Bowl Guard Without Gauge 5 to 125 PSIG (0.4 to 8.6 bar)	Plastic Bowl / Bowl Guard Without Gauge 3 to 60 PSIG (0.2 to 4.1 bar)	Metal Bowl / Sight Gauge Without Gauge 10 to 250 PSIG (0.7 to 17.2 bar)
Manual Drain	3/8	B28-03-FKG0	B28-03-DKG0	B28-03-GLG0	B28-03-FK00	B28-03-DK00	B28-03-GL00
	1/2	B28-04-FKG0	B28-04-DKG0	B28-04-GLG0	B28-04-FK00	B28-04-DK00	B28-04-GL00
	3/4	B28-06-FKG0	B28-06-DKG0	B28-06-GLG0	B28-06-FK00	B28-06-DK00	B28-06-GL00
Automatic Drain	3/8	B28-03-FGG0	B28-03-DGG0	B28-03-GHG0	B28-03-FG00	B28-03-DG00	B28-03-GH00
	1/2	B28-04-FGG0	B28-04-DGG0	B28-04-GHG0	B28-04-FG00	B28-04-DG00	B28-04-GH00
	3/4	B28-06-FGG0	B28-06-DGG0	B28-06-GHG0	B28-06-FG00	B28-06-DG00	B28-06-GH00

Options - To order an option supplied with the unit model, add the appropriate coded suffix letter in the designated position of the model number.



B
Filters, Regulators, Lubricators